

# Coverings

## Poly Film – Klerk’s

### K-50: 6 Mil (4 Year) Film

- Clear chemical resistant UV HALS system
- Contains “anti-dust” additive that repels dirt and dust
- Strong EVA copolymer resin for excellent durability

### K-50 IR/AC: 6 Mil (4 Year) Film

- Superior “anti-condensate” control formula
- Infrared retention and light diffusing system
- Holds in re-radiation at night
- Diffuses sun’s rays during the day
- Clear chemical resistant UV HALS system
- Contains “anti-dust” additive that repels dirt and dust
- Strong EVA copolymer resin for excellent durability

### K-1: Overwinter Film

- Variety of choices for overwinter film users
- Available in 3,4,5, or 6 Mil
- Clear film or white opacities of 35%, 55% , and 70%
- Widths from 4’ to 60’

Type	Item #	Description	Unit
Drop Ship	29740	K50 6 Mil Clear Custom Sheet	Sq. Ft.
	29600	K50 6 Mil Clear IR/AC Custom Sheet	
	29660	K50 6 Mil White Custom Sheet	
	2910	K1 3 Mil Clear, Overwinter (1 Year)	
Stock Rolls	29748	20’ X 100’	Single Sheet (6 Mil, Clear)
	29766	32’ X 100’	
	29772	36’ X 100’	
	29784	42’ X 100’	
	29790	48’ X 100’	
	29794	48’ X 150’	



Clear Poly on Rainbow Super



White Poly on Rainbow Super

## Poly Films – Green Tek

- Unfolds Easily
- Withstands four years of UV bombardment
- Installs Quickly
- Made to Order
- Low minimum order levels
- Quality that lasts

Item #	Description	Unit
28021	GT4 6 Mil Clear	Sq. Ft.
28022	GT4 6 Mil IR/AC Clear	
2809	GT4 6 Mil White 55% LT	
2808	GT 5 Mil Overwinter White 55% LT	
2806	GT1 5 Mil Clear - Super	
2804	GT1 3 Mil Clear - Super	
28045	GT 3 Mil Overwinter White	

## Rigid Covering – Green Tek

### ThermaGlas Plus (UV1 & UV2)

Palram's polycarbonate that features double-sided UV protection. The UV2 products are designed and engineered specifically for open roof greenhouses or outdoor partition applications where glazing panels are exposed to the sun's damaging UV rays on both sides of the panel. UV2 products also feature guaranteed built in condensate control.

Item #	Description	Unit
233156	TGP 6mm Twinwall UV1 Clear 72"	Sq. Ft. (Custom lengths and widths unless otherwise noted)
233155	TGP 6mm Twinwall UV1 Opal	
230605	TGP 8mm Twinwall UV1 Clear	
233175	TGP 8mm Twinwall UV1 Clear 71.25"	
233159	TGP 8mm Twinwall UV1 Opal	
233162	TGP 8mm Twinwall UV1 Bronze	
23317	TGP 8mm Twinwall UV2 Clear 71.25" 80% LT	
233163	TGP 8mm Twinwall SolarSoft80 72"	
233178	TGP 8mm Triplewall UV1 Clear 71.25" 76% LT	
233173	TGP 8mm Triplewall UV2 Clear	
233181	TGP 8mm Triplewall UV1 Opal	
233149	TGP 16mm Triplewall UV1 Opal	
2309	Crating Charge	

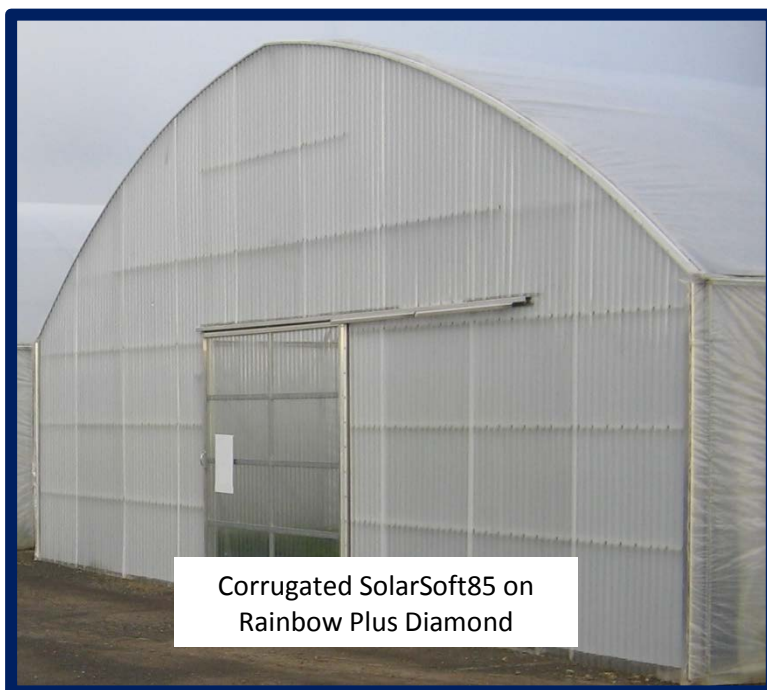
## DynaGlas Plus & DynaGlas SolarSoft

- All the clarity of glass, but with 34 times more impact resistant than 3mm tempered glass
- Much lighter weight than glass; more durable than poly
- Easy installation; can be cut with snips or saw
- 10 year limited warranty against loss of light due to yellowing
- 5 year limited hail impact warranty
- 7 year limited condensate control warranty

Item #	Description	Unit
23042	DG+ Corrugated UV1 Clear 49.6"	Sq. Ft. (Custom lengths)
23048	DG+ Corrugated UV1 Opal 49.6"	
22958	DG+ Corrugated UV1 Clear 73.6"	
2299	DG+ Corrugated UV1 Gray 49.6"	
22993	DG+ Corrugated UV1 SS85 49.6" (85% LT)	
22994	DG+ Corrugated UV1 SS85 73.6" (85% LT)	
22996	DG+ Corrugated UV1 SS90 49.6" (90% LT)	
22997	DG+ Corrugated UV1 SS85 73.6" (90% LT)	
2309	Crating Charge	Based on linear ft. of longest panel

Stock Green Tek DG+ UV1 Clear Corrugated Panels – PICK UP ONLY, NO CRATING CHARGE

Item #	Description	Unit
2300	49.6" X 8'4"	Each
2301	49.6" X 11'	
2304	49.6" X 16'8"	



Corrugated SolarSoft85 on  
Rainbow Plus Diamond

## Rigid Covering – Amerilux

### Lexan Thermoclear\*

Lexan Thermoclear sheet's double wall, ribbed construction offers superior thermal insulation and can save you up to 50% each year in energy costs, versus a similar construction of glass. Lexan Thermoclear guards against yellowing and UV damage while providing excellent light transmission with even light diffusion to eliminate damaging hot spots. This covering carries a 15 year limited warranty against yellowing and a 5 year limited warranty against hail damage.

Item #	Description	Unit
233201	TC 8mm Twinwall 47.25" - Clear	Sq. Ft.
233202	TC 8mm Twinwall 48" - Clear	
233203	TC 8mm Twinwall 71.25" - Clear	
233204	TC 8mm Twinwall 48" - Softlite	
233205	TC 8mm Twinwall 71.25" - Softlite	
233206	TC 8mm Triple-wall 71.25" - Clear	
23327	4' Crating Charge	Based on linear ft. of longest panel
233271	6' Crating Charge	

### Lexan Thermoclear Plus\*

A Step up from the high quality Thermoclear covering, the innovative Plus maintains its clarity and mechanical properties five times longer than other polycarbonates. This product carries a 15 year limited warranty against yellowing and a 5 year limited warranty against hail damage.

Item #	Description	Unit
23328	TC+ 8mm Twinwall 71.25" - Clear	Sq. Ft.
2336	TC+ 16mm Triple-wall - Clear	
23327	4' Crating Charge	Based on linear ft. of longest panel
233271	6' Crating Charge	

\*Colors available: dark bronze, light bronze, white, opal, clear

Standard widths: 47.25", 48", 71.25", 72" and custom lengths up to 38'

### Stock Polycarbonate Amerilux Verolite Panels – FOR PICKUP ONLY, NO CRATING CHARGE

Item #	Description	Unit
233108	71.25" X 8'4"	Each
233111	71.25" X 11'	
233113	71.25" X 13'	
233114	71.25" X 14'4"	
233116	71.25" X 16'8"	
233122	71.25" X 22'	
233126	71.25" X 26'	

## Rigid Covering – Evonik

### Acrylite & Alltop

Acrylite transmits up to 91% of the photosynthetic range and is high impact resistant. The exceptional clarity provides the most natural growing conditions and promotes vigorous growth and vibrant bloom color.

All Evonik high-impact acrylic sheets control UV light penetration; however, in applications where UV light penetration is desirable, Alltop is one of the only glazing materials available in a formula that transmits the full spectrum of light, including UV.

Item #	Description	Unit
229220	8mm Resist Clear 47.25"	Sq. Ft. (Custom lengths)
229221	8mm Resist Lt White 47.25"	
229223	16mm Resist Clear 47.25"	
229225	16mm Resist Lt White 47.25"	
229227	16mm Resist Bronze 47.25"	
229233	16mm Alltop Clear 47.25"	
229234	16mm Alltop Hi-Impact Clear 47.25"	

## Rigid Covering – Metal Sales

### Pro-Panel II

Pro-Panel II provides durability, versatility, and beauty all roll formed into one metal panel. Processed to exact specifications, their “full hard” 80,000 PSI high tensile strength, 29-gauge steel possesses exceptional spanning properties and spring like resistance to abuse. The unique rib design of Pro-Panel II is available in a variety of colors to create an eye pleasing shadow pattern that enhances the appearance of any building.

- No Creeping or Gapping
- Economical 36” Coverage
- Weather Tight Lap Design
- Variety of colors

*Contact a Stuppy rep for questions or orders.*



# Covering Accessories

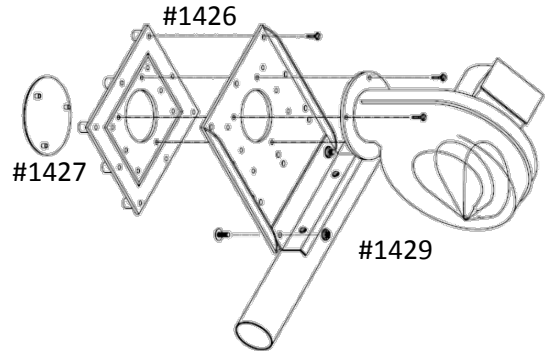
Inflation Fans		
For use with double layer polyethylene greenhouses		
Item #	Description	Unit
32880	Inflation Fan B60 Past part #'s: 1420 & 1419	Each
1421	Model 2C647 Only use with air deflector #1427 Not for use on outside air intake	



32880

1421

Air Deflectors		
Stops air & debris from directly hitting poly film		
Item #	Description	Unit
1427	Inlet Air Deflector	Each

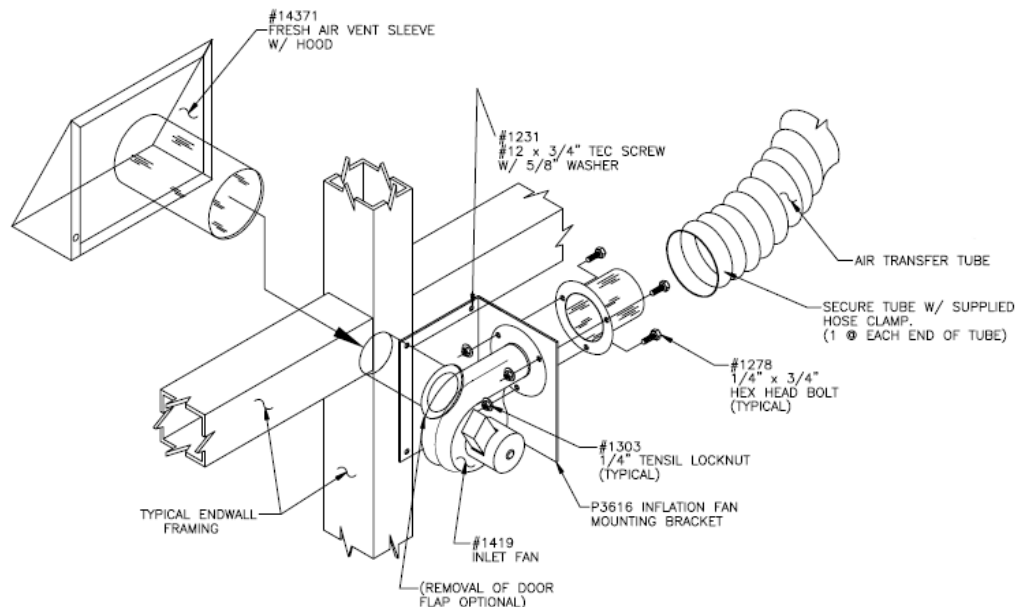


Mounting Bracket		
Holds blower fan in air tight contact with poly film		
Item #	Description	Unit
1426	Mounting Bracket	Each
1429	Hardware for Bracket	

Outside Air Intake Assembly		
Item #	Description	Unit
1424	Outside Air Intake Assembly Kit (no fan)	Each

**Consists of the following parts:**

Item #	Description	Quantity
P3616	Mounting Bracket for Inflation Fan	1
14371	Alum. Fresh Air Vent w/ Screen	1
1439	2.5" PVC Black Tube for Transfer Kit	6'
1437	Air Transfer End Set	1
1438	Hose Clamp for Transfer Kit 2-1	2
10342	#12-14 1" Tek 3 Mill CC	5
1278	1/4-20 3/4" Hex Bolt G5CD	5
1303	1/4-20 Locknut Hex Serr. Flange CD	5
1266	#6 x 3/8" Tek Phil Pan Head	5
1424inst	Instructions For 1424 Outside Air Intake Assembly	1

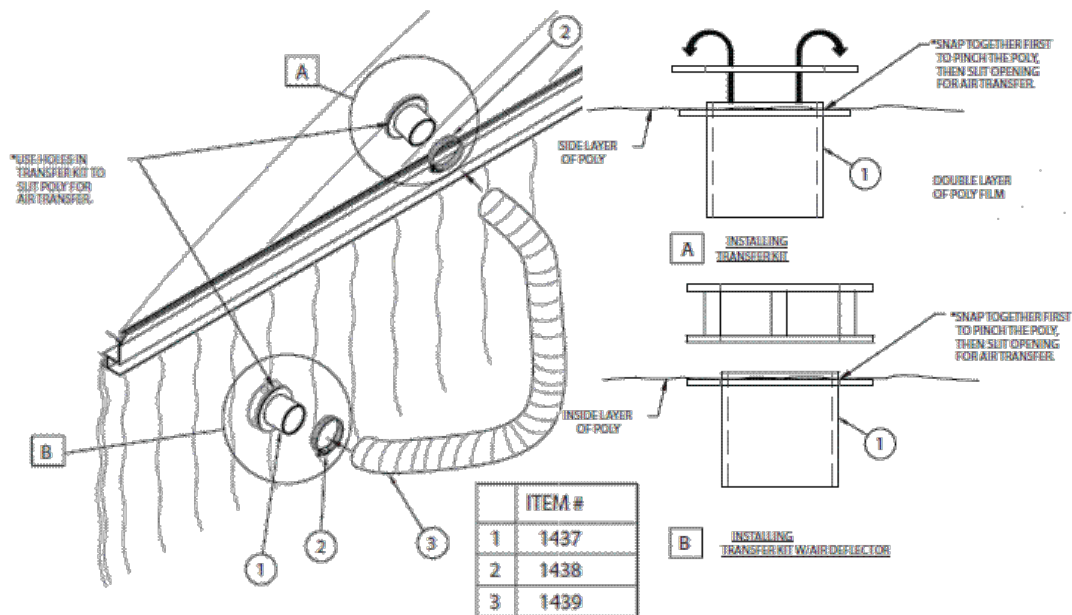




### Air Transfer Kit

For use on sidewall or roof inflation of double poly layers

Item #	Description	Unit
1437	Air Transfer Ends (set)	Each
1438	Hose Clamps – 2 per set	
1439	2.5" Black PVC Tube	Ft.



### Poly Patch Tape

Item #	Description	Unit
1396	4" x 48'	Each
1397	6" x 48'	
13971	10" x 48'	

### Polypropylene Strap (Black)

For use between bows on poly covered houses to help eliminate wind whip

Item #	Description	Unit
1407	1.75" x 100'	Each
1408	1.5" x 300'	
1409	2.75" x 300'	